

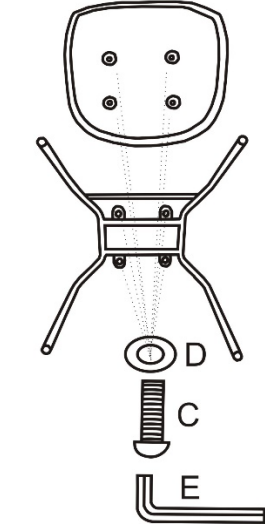

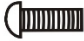





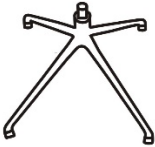
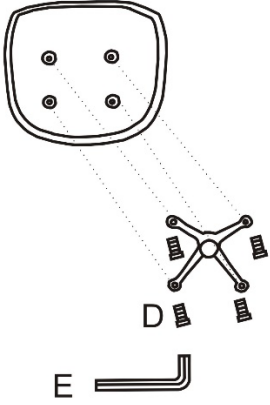
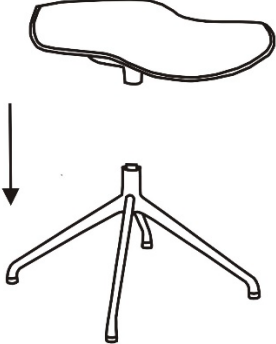
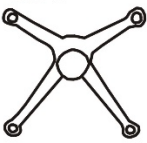

# Frame

## ASSEMBLY INSTRUCTION

Ax1 shell 	Bx1 	1 	2 
Cx4 	Dx4 		
Ex1 			

# Swivel

## ASSEMBLY INSTRUCTION

Ax1 shell 	Bx1 	1 	2 
Cx1 	Dx4 		
Ex1 